

# CSD ET Series Drives

## EtherCAT®

3<sup>rd</sup>  
FIRMWARE  
GENERATION

### INTRODUCTION

- New series of stepping motor drives with EtherCAT interface, now available with a 3<sup>rd</sup> generation firmware release.
- Drives optimized for coupling with SANYO DENKI stepping motors, fitted with encoder, but also able to manage third part motors.
- Compact system, developed to offer a wide variety of integrated functions and optimized for the most demanding motion control applications.

### MAIN EtherCAT® FEATURES

- Modes of operation: PP, PV, Homing, CSP and CSV.
- Wide range of motor phase current setting and motor current overboost (120%).
- Different variety of HOMING operation modes.
- Encoder feedback and support of different resolution.
- Touch Probe function available.
- Limit switches management.
- Auto-sync function available featuring a closed loop positioning.
- 5 + 5 I/Os (ET 94) and 2 + 3 I/Os (ET S4).
- UL/ CSA.



Please refer to [download.rta.it](http://download.rta.it) for technical specifications

### STO FUNCTION FEATURES

- Safe Torque Off (STO) function - **SIL3**
- Error Detection Monitor

**SIL3**  
SAFE TORQUE  
OFF (STO)

Series	Model	V <sub>dc</sub> range (Volt)	I nom. (Amp)	Digital In/Out	STO In	Dimensions (mm)
CSD ET	S4 <b>STO</b>	24 to 48	4.0	2/3	2	130x106x32
CSD ET	94	24 to 48	4.0	5/5	/	130x106x32

## TECHNICAL FEATURES

- Range of operating voltage 24-48 VDC.
- Protections:
  - Protection against under-voltage and over-voltage.
  - Protection against a short-circuit at motor outputs.
  - Overtemperature protection.
- Electronic damping facility for further acoustic noise and mechanic vibrations reduction.
- Available in plastic boxed version with plug-in connectors.
- Maximum compactness.
- Optoinsulated auxiliary and programmable inputs and outputs.
- A kit for mounting on a DIN rail is available as optional. Code: KNDCGD
- Warranty: 24 months.

**EtherCAT**®

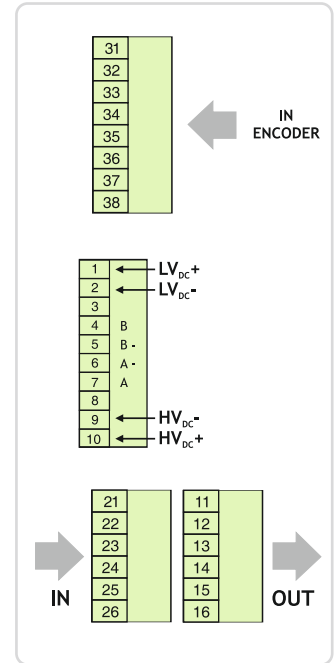


SCAN THE QR CODE TO WATCH A VIDEO ON THE AUTO-SYNC FUNCTION

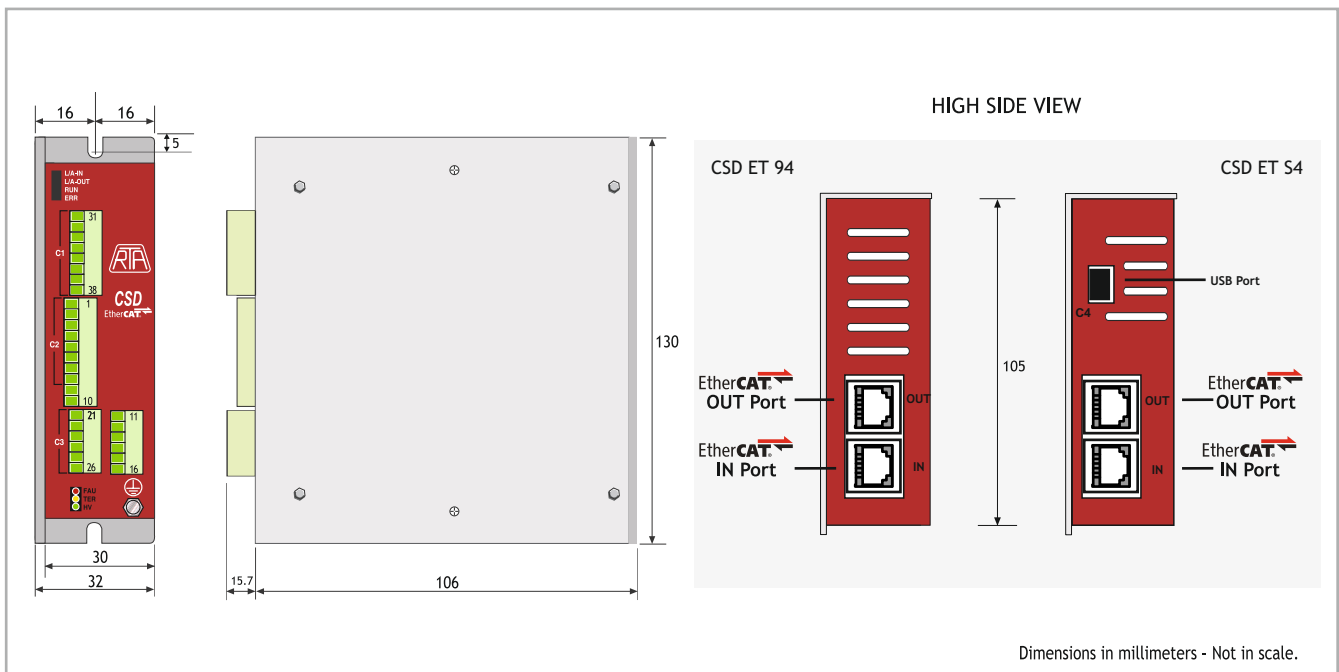


## POWER AND LOGIC CONNECTIONS

R.T.A. MOTORS  
RH/EM SERIES



## MECHANICAL DIMENSIONS



Dimensions in millimeters - Not in scale.



R.T.A. s.r.l.  
Via E. Mattei - Fraz- Divisa  
27020 Marcignago (PV) (Italy)  
T +39.0382.929.855  
F +39.0382.929.150  
www.rta.it

R.T.A. Deutschland GmbH  
Bublitzter Strasse 34, 40599  
Duesseldorf (Germany)  
T +49.211.749.668.60  
F +49.211.749.668.66  
www.rta-deutschland.de

R.T.A. IBERICA  
C/Generalitat 22, Local 1  
08850 Gava - Barcelona (Spain)  
T +34 936.388.805  
F +34 936.334.595  
www.rta-iberica.es

R.T.A. INDIA Pvt  
Teerth Business Center 3<sup>rd</sup> Floor, Unit No. 7,  
Block EL-15, MIDC Bhosari Pimpri-Chinchwad,  
Pune 411026 (India)  
Tel. +91 9422507445  
www.rta-india.in