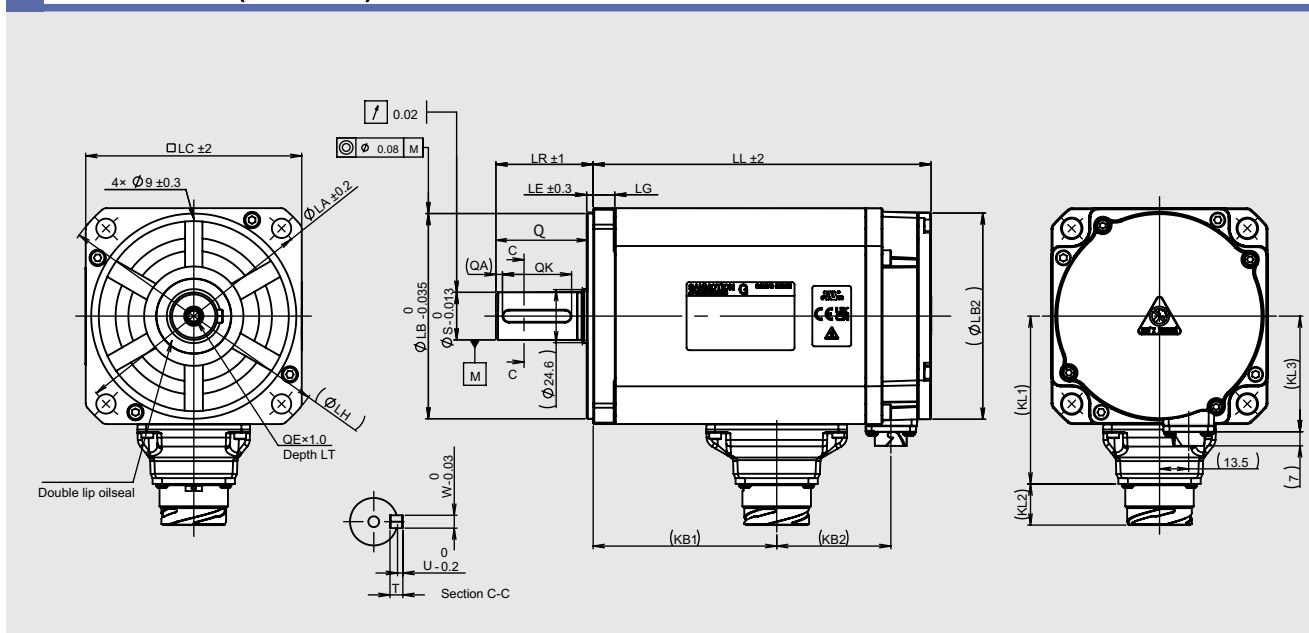


# GAM2AA1050BOXNB3 [GAM2AA10150B0CNB3]



## Dimensions (Unit:mm)



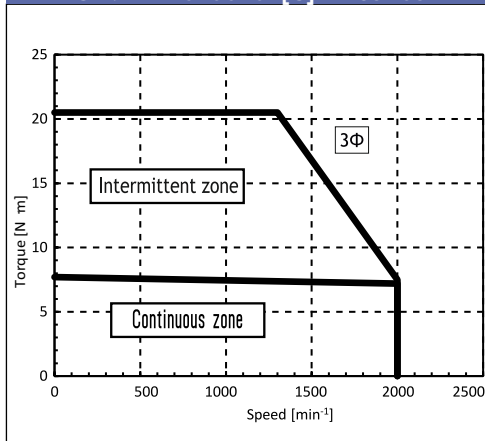
without brake	with brake	KL1	KL2	KL3	LG	LA	LB	LE	LH	LC	LZ1	LB2	LR	S	Q	QA	QK	W	T	U	KB1	QE	LT
LL	KB2	78	19	54	10	115	0 95.5-0.035	3	130	100	9	95.5	45	0 22-0.013	40	3	32	0 6-0.03	6	2.5	97.5	M6	20

## FEATURES

MODEL	GAM2AA10150BOXNB3 [GAM2AA10150B0CNB3]	
NOMINAL POWER	(W)	1500
NOMINAL SPEED	(rpm)	2000
MAXIMUM SPEED	(rpm)	2000
NOMINAL TORQUE	(Nm)	7.2
STALL TORQUE	(Nm)	7.7
MAXIMUM TORQUE	(Nm)	20.5
INERTIA	(Kg·m <sup>2</sup> )	6.10x10 <sup>-4</sup> [6.45x10 <sup>-4</sup> ]
ENCODER	(imp./rev)	SINGLE TURN: 131072 imp/rev (17 bit)
PROTECTION DEGREE		IP67
WEIGHT	[version with brake] (Kg)	5.9 [7.5]

## TORQUE CURVE

GAM2AA10150BOX[C] + RS3A03



R.T.A. s.r.l. PAVIA (ITALY) SANYO DENKI CO., Ltd (JAPAN)

WITHOUT BRAKE  
GAM2AA10150BOXNB3

Indicated performances refer to motor controlled by related new RS3 standard and EtherCat amplifiers.

1Φ torque curve with single phase power supply  
3Φ = torque curve with three-phase power supply

WITH BRAKE  
GAM2AA10150B0CNB3

Suggested amplifiers: RS3A03A2HA4W00, RS3A03A0AA2, RS3A03A2HAE



R.T.A. s.r.l.  
Via E. Mattei - Fraz. Divisa  
27020 Marcignago (PV) (Italy)  
T +39.0382.929.855  
F +39.0382.929.150  
www.rta.it

R.T.A. Deutschland GmbH  
Bublitzter Strasse 34, 40599  
Duesseldorf (Germany)  
T +49.211.749.668.60  
F +49.211.749.668.66  
www.rta-deutschland.de

R.T.A. IBERICA  
C/Generalitat 22, Local 1  
08850 Gava - Barcelona (Spain)  
T +34 936.388.805  
F +34 936.334.595  
www.rta-iberica.es

R.T.A. INDIA Pvt  
Teerth Business Center 3<sup>rd</sup> Floor, Unit No. 7,  
Block EL-15, MIDC Bhosari Pimpri-Chinchwd,  
Pune 411026 (India)  
Tel. +91 9422507445  
www.rta-india.in