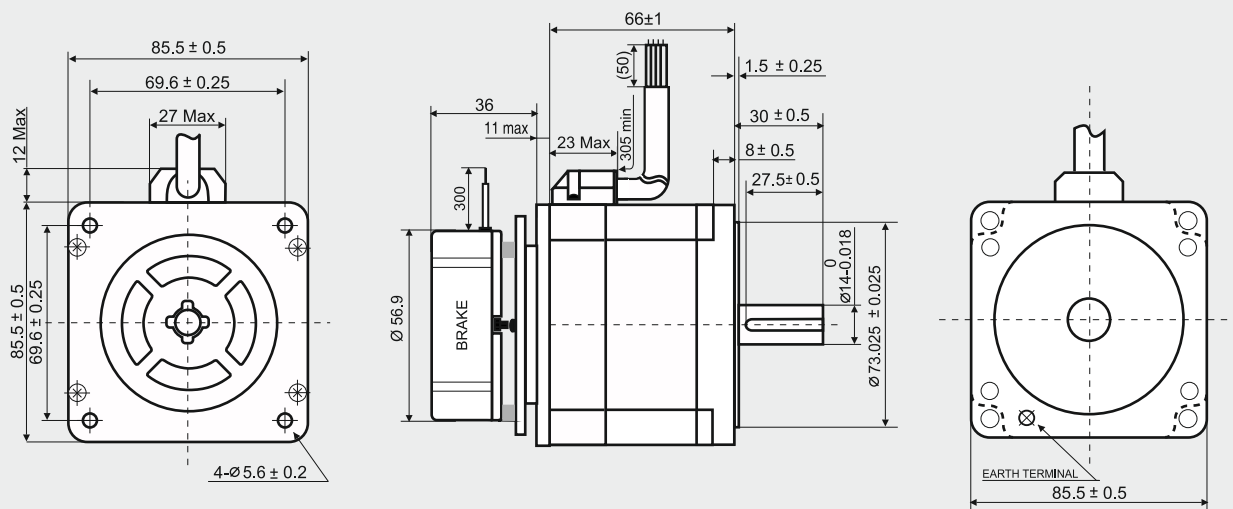


SM 2861-5225.B

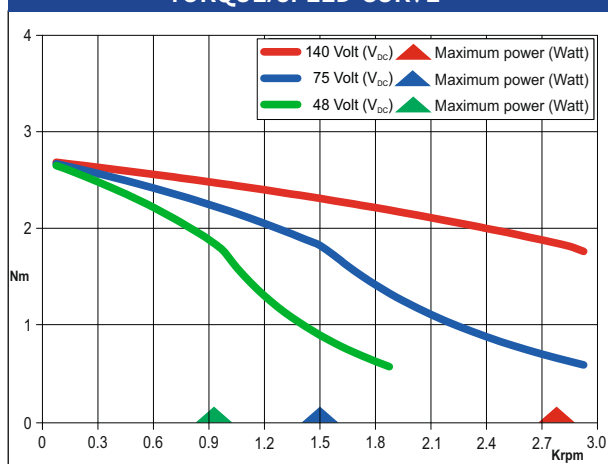
Dimensions (Unit:mm)



SANYO DENKI MOTOR FEATURES

| MODEL | SM 2861-5225.B |
|--|----------------------------|
| SANYO DENKI MOTOR CODE | SM 2861-5225 |
| BASIC STEP ANGLE | $1.8^\circ \pm 0.09^\circ$ |
| BIPOLAR PARALLEL CURRENT (Amp) | 6.0 |
| RESISTANCE (Ohm) | 0.29 |
| INDUCTANCE (mH) | 1.7 |
| BIPOLAR HOLDING TORQUE (Ncm) | 360 |
| ROTOR INERTIA ($\text{Kg} \cdot \text{m}^2 \times 10^{-7}$) | 1480 |
| THEORETICAL ACCELERATION ($\text{rad} \times \text{sec}^{-2}$) | 24300 |
| BACK E.M.F. (V/Krpm) | 60 |
| MASS (Kg) | 2.2 |
| INTERNATIONAL STANDARDS | UL, CSA |
| INSULATION VOLTAGE (V) | 250 VAC (350 VDC) |
| PROTECTION DEGREE - INSULATION CLASS | IP43 - F |
| LEADS CODE | V |

TORQUE/SPEED CURVE



R.T.A. s.r.l. PAVIA (ITALY) SANYO DENKI CO., Ltd (JAPAN)

BRAKE FEATURES

| | |
|--------------------|----------|
| STATIC TORQUE (Nm) | 4.0 |
| DUTY CYCLE | 50% max. |
| VOLTAGE (Volt) | 24 VDC |
| POWER (W) | 11 |
| RELEASE TIME (ms) | 300 |



Suggested R.T.A. drive series: NDC, ADW, HGD, PLUS



R.T.A. s.r.l.
Via E. Mattei - Fraz- Divisa
27020 Marcignago (PV) (Italy)
T +39.0382.929.855
F +39.0382.929.150
www.rta.it

R.T.A. Deutschland GmbH
Bublitzter Strasse 34, 40599
Duesseldorf (Germany)
T +49.211.749.668.60
F +49.211.749.668.66
www.rta-deutschland.de

R.T.A. IBERICA
C/Generalitat 22, Local 1
08850 Gava - Barcelona (Spain)
T +34 936.388.805
F +34 936.334.595
www.rta-iberica.es

R.T.A. INDIA Pvt
Teerth Business Center 3rd Floor, Unit No. 7,
Block EL-15, MIDC Bhosari Pimpri-Chinchwad,
Pune 411026 (India)
Tel. +91 9422507445
www.rta-india.in